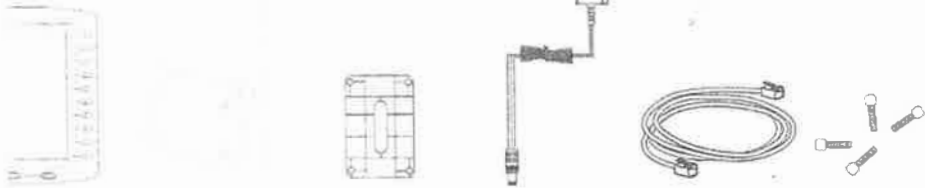
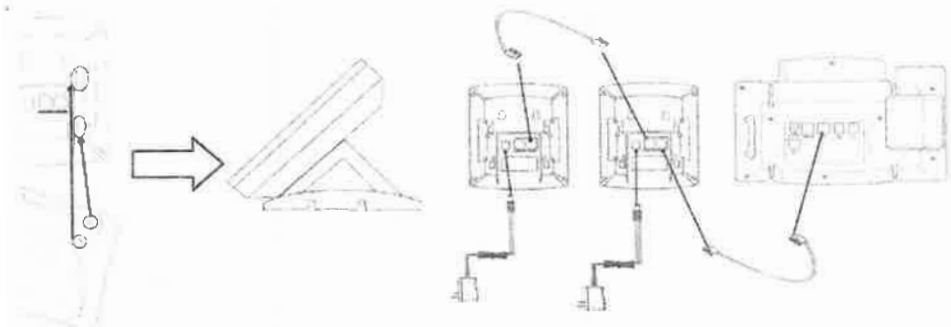
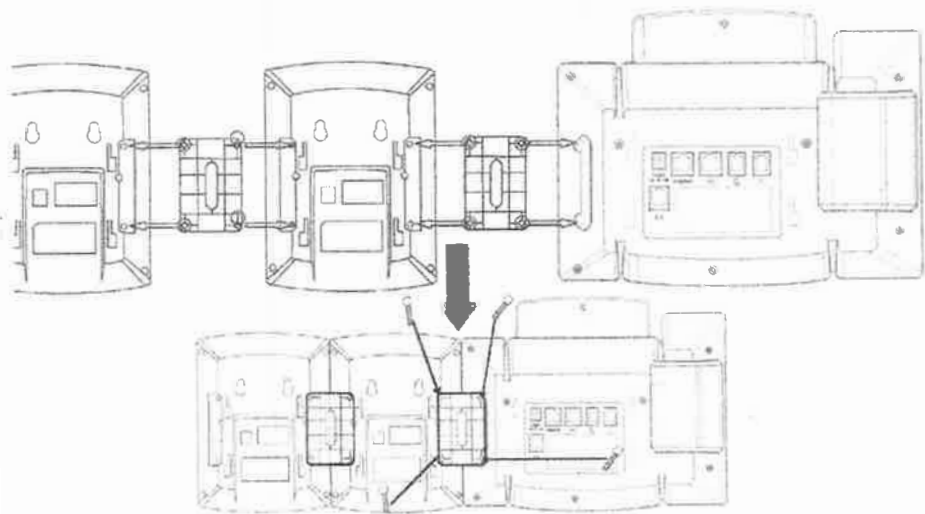


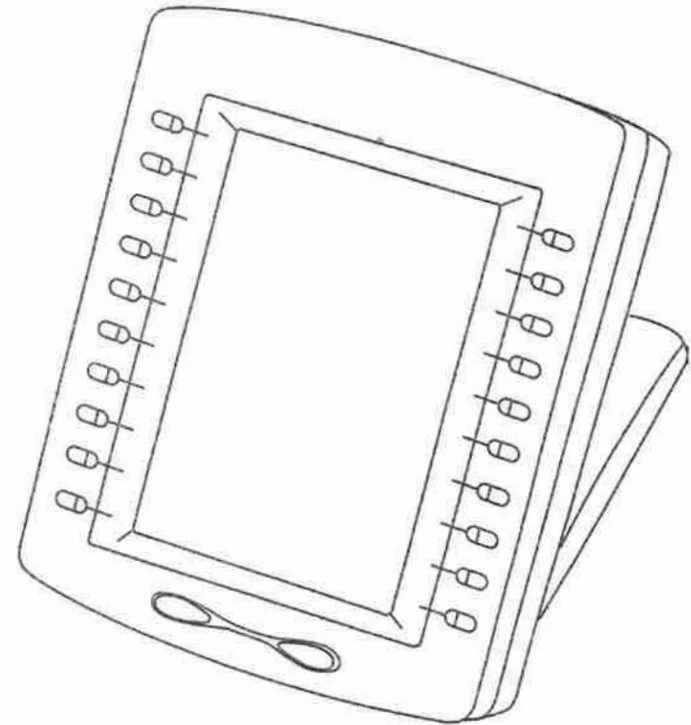
Connecting



Expansion Module    Stand    Connecting sheet    Power Adapter    Ethernet Cable    Screw

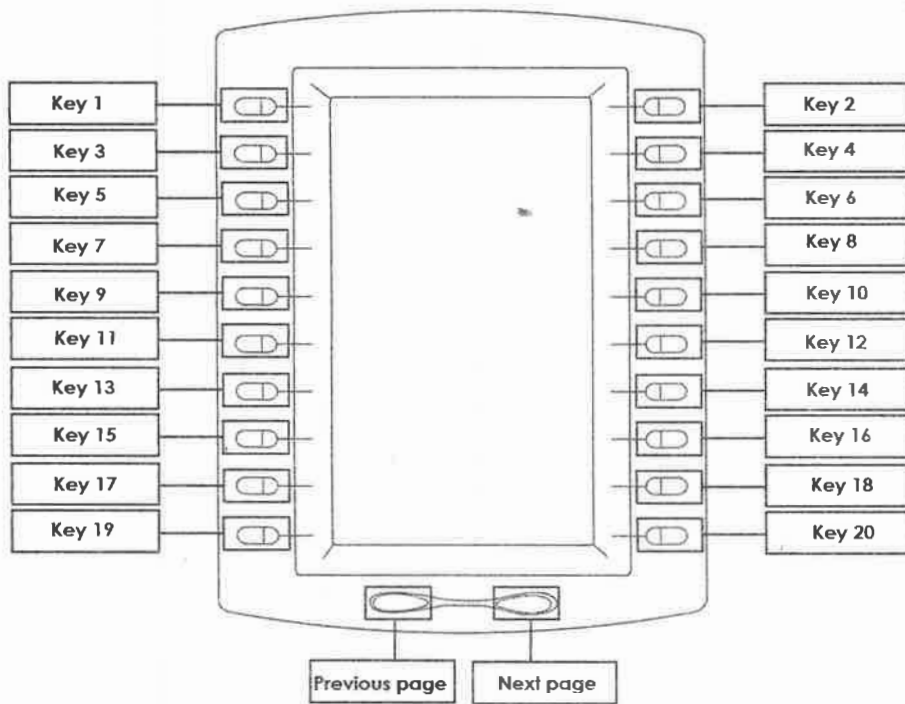


## Color LCD Expansion Module



### Quick Reference

For  
UC40



UC40 is expansion module for UC800 series IP Phones. It expands the functional capability of your VoIP phone to a whole new level. Press  to change the pages. Two page views allow 40 programmable keys that work as BLF, Speed dial, call park, pick up...

## Basic Configurations

### Line

1. Click on Function Keys->Ext Key.
2. In the desired key field, select Line from the pull-down list of Type.
3. Select the Account from the pull-down list of Account.
4. Click  to save the configuration.

### BLF

1. Click on Function Keys->Ext Key.
2. In the desired key field, select BLF from the pull-down list of Type.
3. Enter the phone number or extension you want to monitor in the Value field.
4. Enter the desired value in the Label field.

5. Select the Account from the pull-down list of Account.
6. Enter the call pickup code in the Pickup code n field.
7. Click  to save the configuration, and restart.

### Speed Dial

1. Click on Function Keys->Ext Key.
2. In the desired key field, select Speed Dial from the pull-down list of Type.
3. Enter the desired number you want to dial out directly in the Value field.
4. Enter the desired value in the Label field.
5. Select the Account from the pull-down list of Account.
6. Click  to save the configuration.

### Intercom

1. Click on Function Keys->Ext Key.
2. In the desired key field, select Intercom from the pull-down list of Type.
3. Filled the Value field.
4. Enter the desired value in the Label field.
5. Select the Account from the pull-down list of Account.
6. Click  to save the configuration.

### Call Park

1. Click on Function Keys->Ext Key.
2. In the desired key field, select Callpark from the pull-down list of Type.
3. Enter the call park feature code in the Value field.
4. Enter the desired value in the Label field.
5. Select the Account from the pull-down list of Account.
6. Click  to save the configuration.

### Directed Pickup

1. Click on Function Keys->Ext Key.
2. In the desired key field, select Direct Pickup from the pull-down list of Type.
3. Enter the direct call pickup code followed by the specific number you want to pick up calls the Value field.
4. Enter the desired value in the Label field.
5. Select the Account from the pull-down list of Account.
6. Click  to save the configuration.